

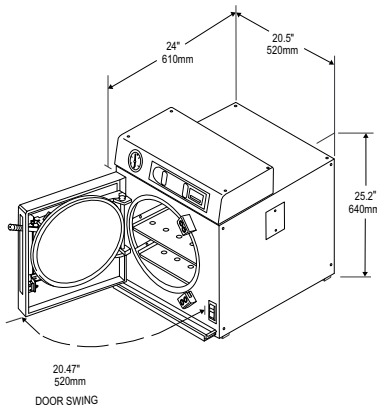
## B40-BASE Benchtop Autoclave

Complying with AS/NZS standards, the unit has grade 316L stainless steel chamber and is inherently safe with thermal and pressure interlocks.

Description	Code	Price	Sale
Autoclave, 40L Front Loading with two shelves	PRIOB40-BASE	\$22,407	<b>\$19,995</b>
Thermal Printer with timed delay	PRIOPC/PRN/000		

Includes **FREE** thermal printer with timed delay  
(valued at \$2,200)

- Single handed lever action door mechanism
- 5 program memory
- Water cooled drain protection as standard
- Media Warming Facility
- USB port, fan forced cooling and timed free-steaming
- 10 year door and chamber warranty
- Elements in chamber for ease of servicing & maintenance
- Many options and accessories to select from
- Optional condensate collection bottle
- 2-year warranty



VALID UNTIL:  
30 Apr 2023  
Ref. Code:  
PRIO-B40



Prices and discounts may be subject to change and only available while stocks last. Not valid with any other special offer or discounts and cannot be applied in retrospect. All prices in NZD excluding GST and local delivery charges. Products advertised may be for research use only (RUO) or in vitro diagnostic use (IVD). Please refer to manufacturer's product insert for further information. For product use outside of that specified on the manufacturer's labelling and/or instructions for use, Bio-Strategy does not take responsibility.