

## Priorclave 150L Front-Loading Autoclave

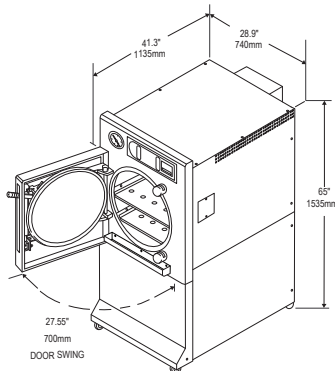
### Free Printer!

#### Quality Front-Loading 150L Autoclave - Electrically Heated with heaters in chamber.

With cylindrical chamber 500mmØ x 740mm D, the unit is suitable for a variety of loads and supplied with two shelves. Includes water cooled heat exchanger and 5 program memory.

**5% Off**  
+  
**Free Printer**

- Media Warming Facility
- 10-year door and chamber warranty
- Elements in chamber for ease of servicing constructed to British standards and complying with AS/NZS standards
- Grade 316L stainless steel chamber and is inherently safe with thermal and pressure interlocks
- USB port, fan forced cooling and timed free-steaming
- Single handed lever action door mechanism
- Low water level sensor
- Tactrol 3 microprocessor control with simple and fully variable setting of process time and temperature with graphic indication of cycle status
- Many optional extra's available including vacuum options, discard containers, loading trolleys and cassettes, wandering probe etc



Description	Code	Price	Sale
150L Front-Loading Electrically Heated Autoclave	PRI0EH150-BASE	\$37,345	<del>\$35,475</del>

Contact us for more information and to place your orders

#### Bio-Strategy Ltd.

T: 0800 34 24 66  
E: sales.nz@bio-strategy.com  
www.bio-strategy.com  
shop.bio-strategy.com